

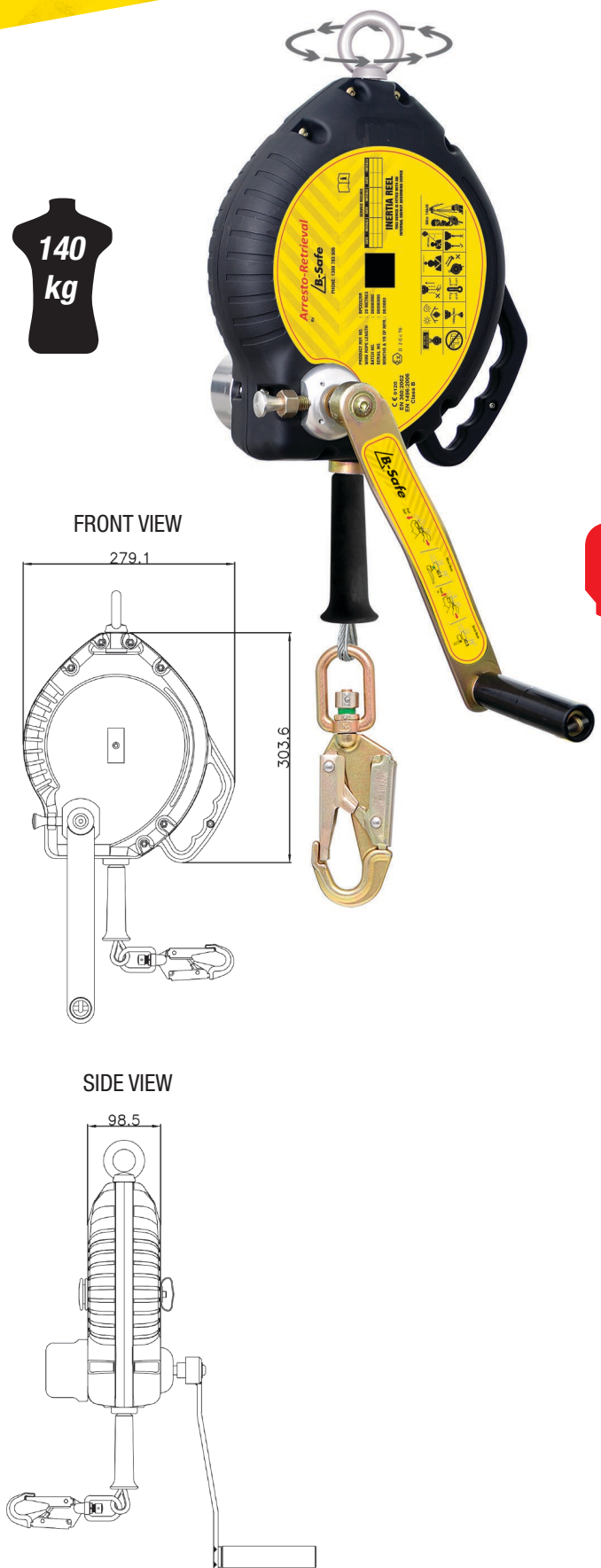
BPCGS20R ARRESTO RETRIEVAL INERTIA REEL 140kg x 20m

Arresto-Retrieval Inertia Reels operate as dual fall arrest and retrieval blocks and are manufactured and tested to EN 360:2002 and EN1496:2006 Class B.

Consisting of a heavy duty swivel steel snap hook and hard plastic housing, these reels are robust and can be used to arrest and retrieve those working in confined spaces, on high-rise buildings, roofs and other fall hazard areas.

Features

- Retrieval fall arrest block with hoisting winch to enable easy retrieval of victim
- Side locking pin at base of handle allows this dual system to work in independent fall arrest and winch modes
- Easily mounted on tripods
- Convenient carry handle
- Robust & durable plastic casing
- Swivel anchorage with fall indicator
- ANSI compliant swivel snap hook
- 16Kn gate strength
- 20mm gate opening
- Fall indicator
- 4.5mm galvanised wire cable
- 15.3kN breaking strength



Compliance

- Meets EN 360:2002 and EN1496:2006 Class B
- Under Clause 1.6 of AS/NZS1891.3 1997 "Fall Arrest Devices complying with EN353-1, EN353-2 or EN360 are acceptable for use in Australia and New Zealand"

Testing Criteria

- Static Strength :15Kn for 3 min
- Dynamic Performance :100kg mass free fall of 600mm with breaking force of less than 6Kn & arrest distance of less than 2 metres

Servicing

AS/NZS1891.4:2009 requires Inertia Reels (Type 2 and 3 Fall Arrest devices) be serviced "by a height safety equipment inspector as recommended by the manufacturer to a maximum of 5 yearly. 12 monthly service in the absence of such recommendations". All inspections other than those by operator to be documented.

Arresto Inertia Reels can be serviced at 3 yearly intervals under the following conditions:

- It is documented at time of placing the Arresto Inertia Reel into service that the environment is not extreme - considering:
 - Exposure to elements
 - Temperature
 - Presence of dirt, dust, wind
 - Moisture
 - Contaminants (welding, chemical)
 - Visual inspections are undertaken and recorded every six months from date placed into service.

Code: BPCGS20R

Description: Retractable Fall Arrester with galvanised steel wire rope Ø4.5mm

Capacity: 140kg

Length: 20 metres